

MERCEDES-BENZ
SPRINTER
2024



UPFIT GUIDE





HELPING MOBILE TECHNICIANS WORK MORE EFFECTIVELY BY PROVIDING ORGANIZED STORAGE SOLUTIONS

**AT RANGER DESIGN,
WE BELIEVE MORE IS POSSIBLE.**


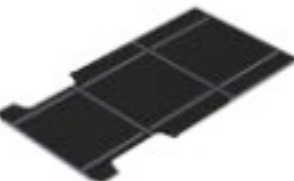

We believe work vehicles and the technicians who drive them can become more organized, efficient, productive, and profitable. At Ranger Design, we are committed to providing you with the products and services that make this possible.

More means helping you choose the right work van for your application, as well as giving you engineering support and expert advice to help design the most efficient work space in your new vehicle.

More also means getting that new van outfitted and on the road faster, so you can start using it for the reason you bought it.

We're committed to bringing you more, because we believe more is possible.



 <p>CONTRACTOR P. 6</p>	 <p>SERVICE P. 8</p>	 <p>ELECTRICAL P. 10</p>
 <p>HVAC P. 12</p>	 <p>DELIVERY P. 14</p>	 <p>ALUMINUM P. 16</p>
 <p>FLOORS AND STORAGE P. 18</p>	 <p>ACCESSORIES P. 20</p>	 <p>LADDER RACKS P. 22</p>

Large Distributor Network Across the Continent

Buy

Ranger Design Quickship service is available through your local distributor. rangerdesign.com/find-distributor

Lead Time

Quickship orders placed before 1PM EST, will ship from our factory in the next business day.



All products with this symbol are available on Quickship

HOW TO USE THE LAYOUT GUIDE

INSIDE ROOF HEIGHT

To determine the maximum shelf height that can be used in the van.

PARTITION DEPTH

This indicates the space taken up by our partition for this vehicle. Please note that this measurement is determined by the partition that encroaches the most. Some partitions may take up less space. Take note that this measurement may not necessarily be on the floor.

DOOR OPENING

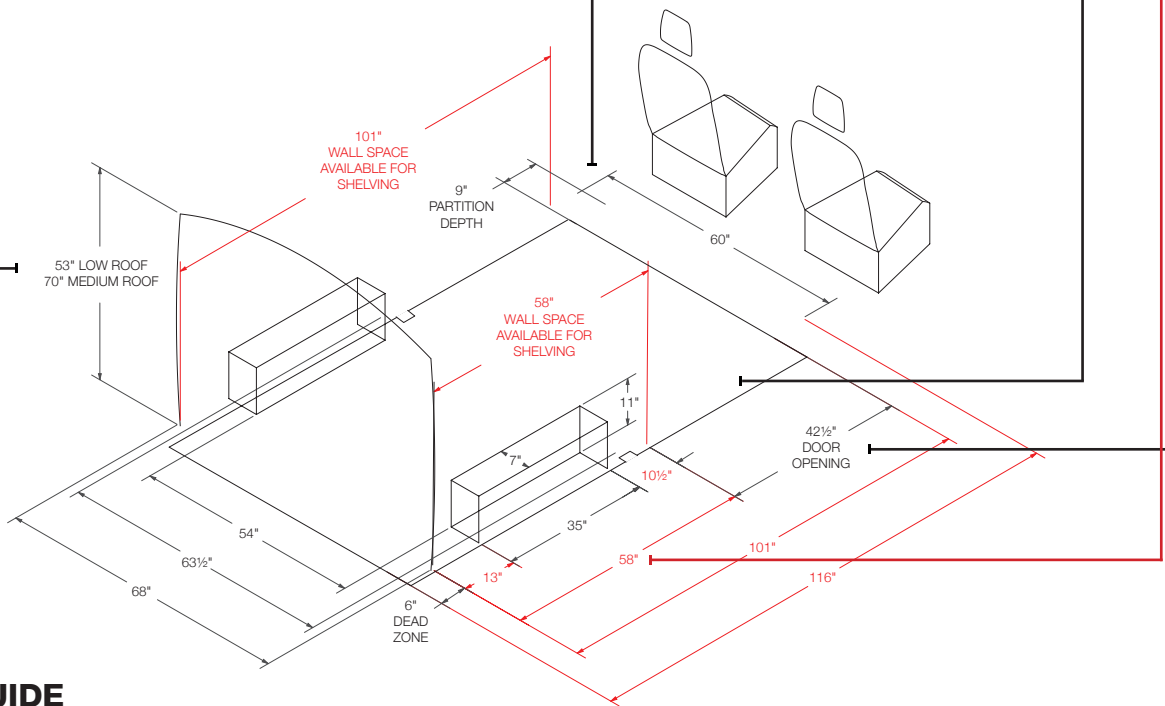
To determine where shelving will land in relation to the door opening. Use this measurement to determine the space available for drawer units.

DIMENSIONS IN RED

These dimensions indicate unique measurements for each wheelbase. Use red dimensions to determine the exact wheelbase of your van.

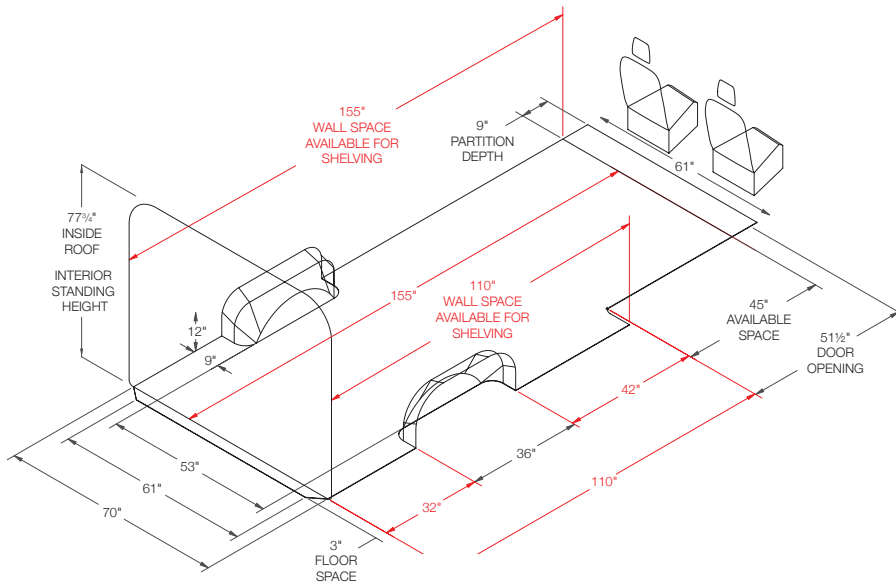
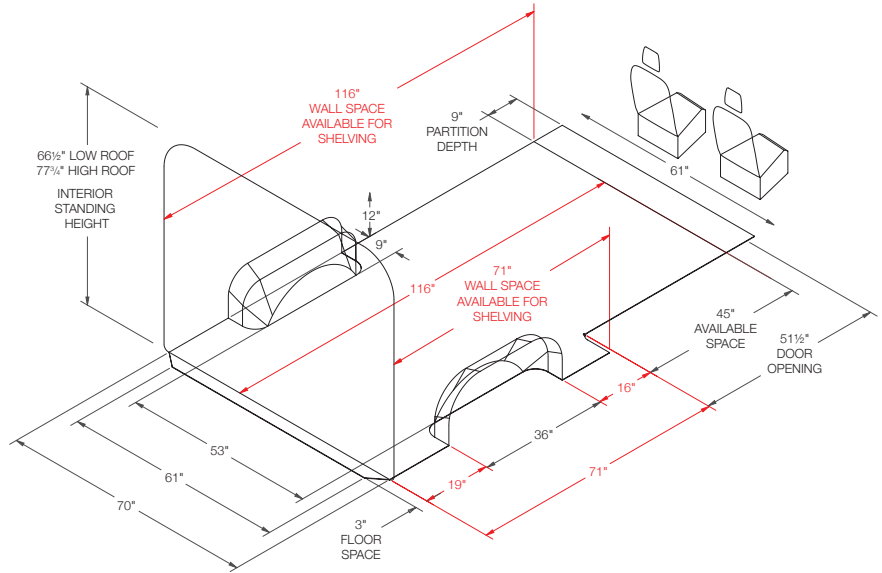
FLOOR SPACE

This area is usable floor space but due to curvature of the van there may not be the same available area at the roof. Please measure actual van for specific measurement at roof.



EXAMPLE LAYOUT GUIDE

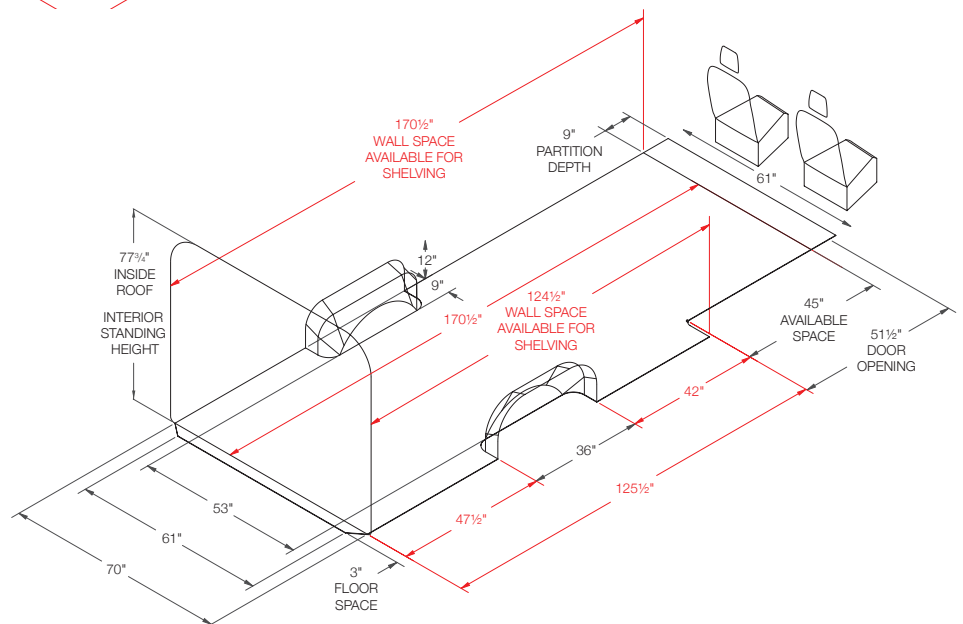
**MERCEDES-BENZ
SPRINTER**
Regular 144" Wheelbase



**MERCEDES-BENZ
SPRINTER**
Long 170" Wheelbase

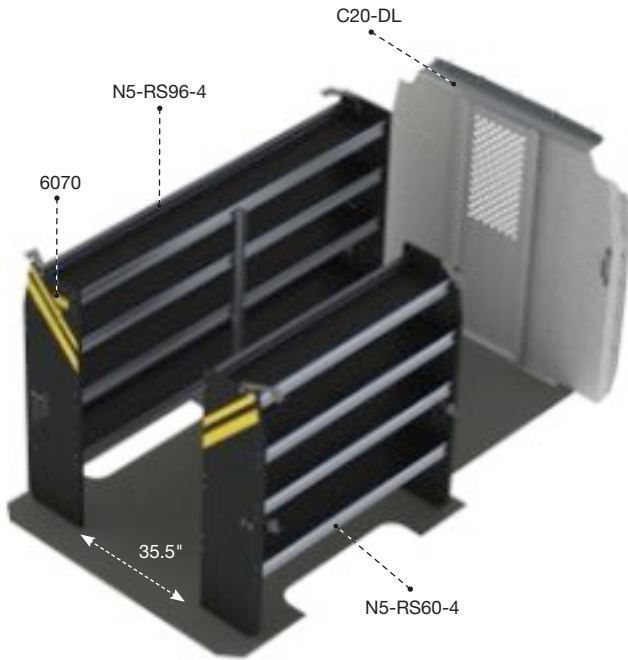


**MERCEDES-BENZ
SPRINTER**
Long 170" Extended
Wheelbase



CONTRACTOR

CONTRACTOR

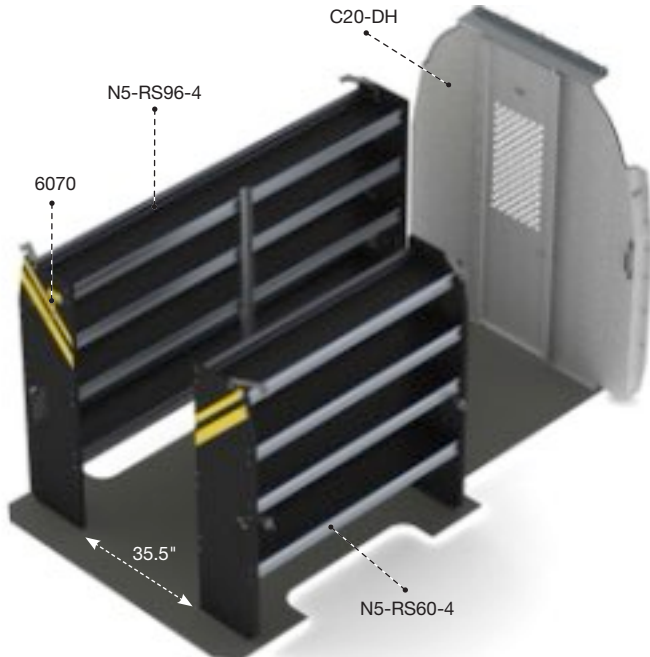


DLS-10 CONTRACTOR

Steel	144"	Low Roof
291 lbs	3.8 hrs	Yes

Qty	Part #	Description
1	6070	6" Hook, 3" opening, painted
1	C20-DL	Straight partition with perforated window, no access
1	N5-RS60-4	Steel shelving unit, 14" D x 60" W x 62" H
1	N5-RS96-4	Steel shelving unit, 14" D x 96" W x 62" H

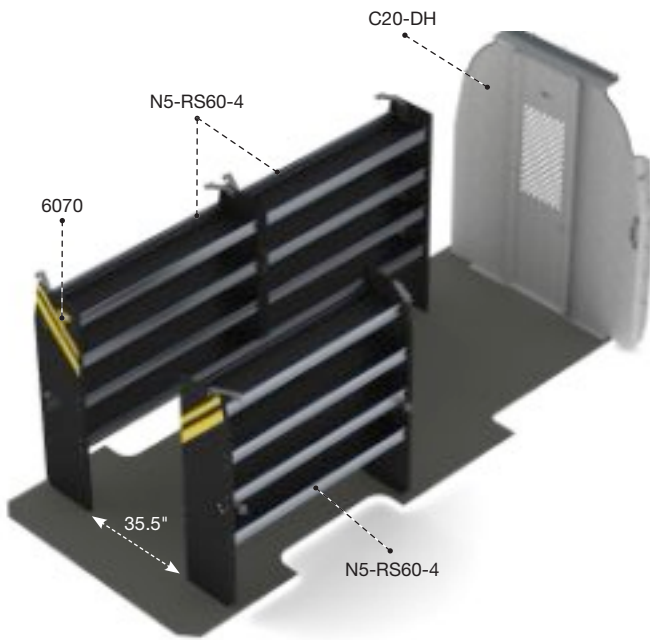
VISIT
RANGERDESIGN.COM
TO VIEW OUR
SAFETY PARTITIONS:



DHS-10 CONTRACTOR

Steel	144"	High Roof
300 lbs	3.8 hrs	Yes

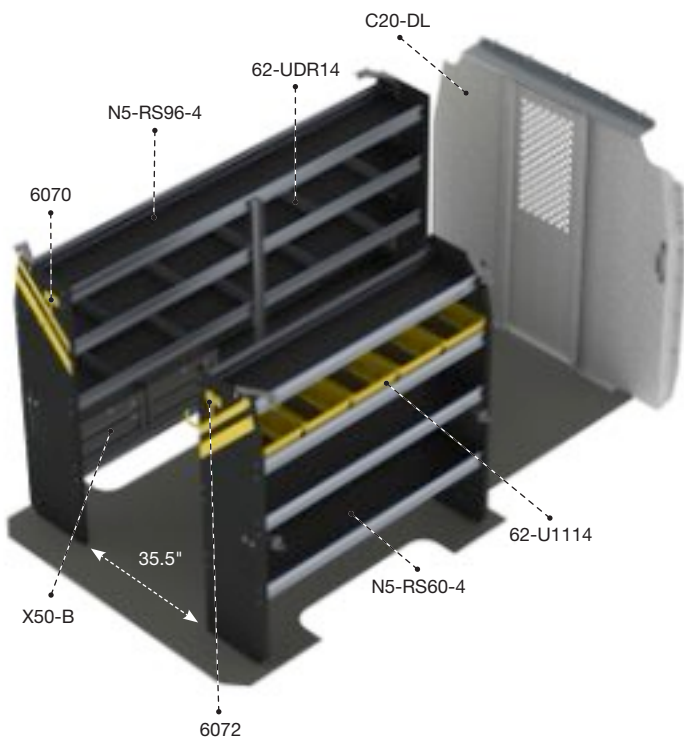
Qty	Part #	Description
1	6070	6" Hook, 3" opening, painted
1	C20-DH	Straight partition with perforated window, no access
1	N5-RS60-4	Steel shelving unit, 14" D x 60" W x 62" H
1	N5-RS96-4	Steel shelving unit, 14" D x 96" W x 62" H



DHL-10 CONTRACTOR

Steel	170", 170" Ext.	High Roof
355 lbs	4.8 hrs	Yes

Qty	Part #	Description
1	6070	6" Hook, 3" opening, painted
1	C20-DH	Straight partition with perforated window, no access
3	N5-RS60-4	Steel shelving unit, 14" D x 60" W x 62" H



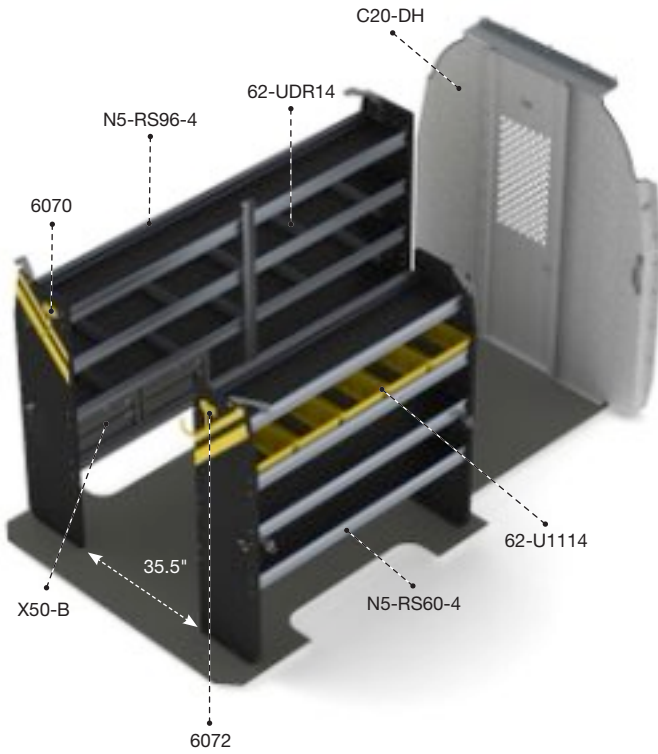
DLS-16 SERVICE

Steel	144"	Low Roof
361 lbs	4.6 hrs	Yes

Qty	Part #	Description
1	6070	6" Hook, 3" opening, painted
1	6072	8" Swivel hook, 4" opening, painted
5	62-U1114	14" Deep plastic bin
2	62-UDR14	Set of 5 dividers for a 14" shelf
1	C20-DL	Straight partition with perforated window, no access
1	N5-RS60-4	Steel shelving unit, 14" D x 60" W x 62" H
1	N5-RS96-4	Steel shelving unit, 14" D x 96" W x 62" H
2	X50-B	Compact 2-drawer unit

SERVICE

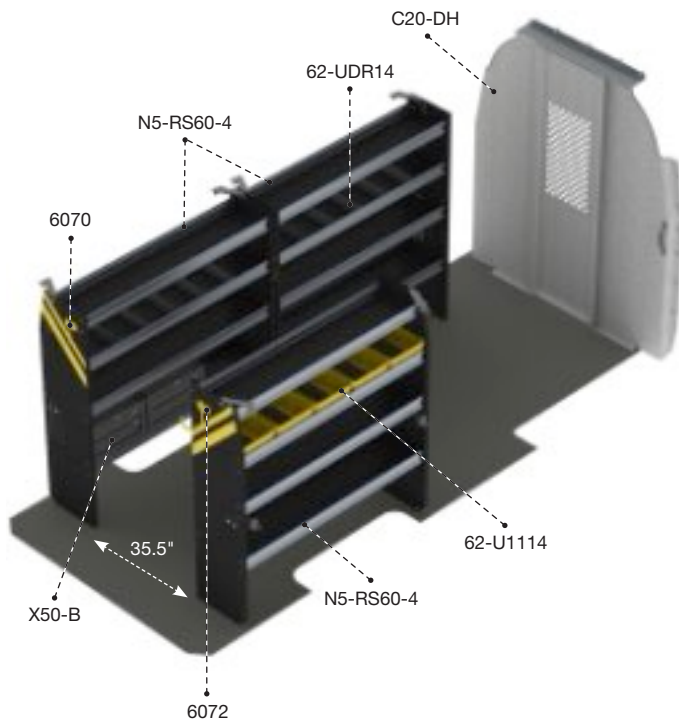
SERVICE



DHS-16 SERVICE

Steel	144"	High Roof
370 lbs	4.6 hrs	Yes

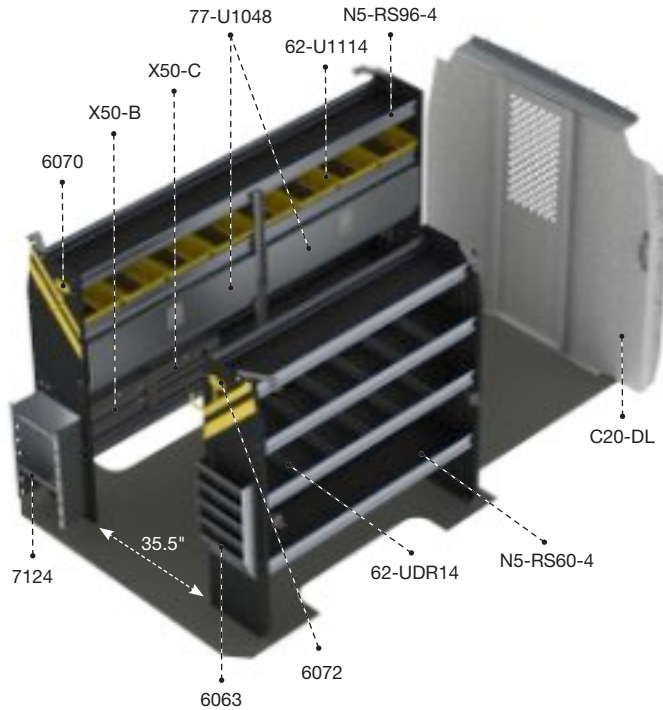
Qty	Part #	Description
1	6070	6" Hook, 3" opening, painted
1	6072	8" Swivel hook, 4" opening, painted
5	62-U1114	14" Deep plastic bin
2	62-UDR14	Set of 5 dividers for a 14" shelf
1	C20-DH	Straight partition with perforated window, no access
1	N5-RS60-4	Steel shelving unit, 14" D x 60" W x 62" H
1	N5-RS96-4	Steel shelving unit, 14" D x 96" W x 62" H
2	X50-B	Compact 2-drawer unit









DHL-16 SERVICE

Steel	170", 170" Ext.	High Roof
425 lbs	5.6 hrs	Yes

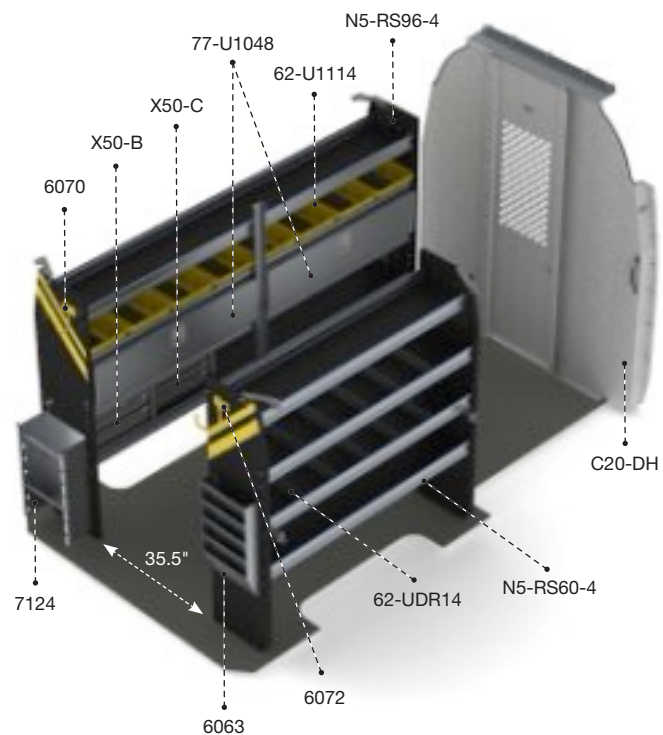
Qty	Part #	Description
1	6070	6" Hook, 3" opening, painted
1	6072	8" Swivel hook, 4" opening, painted
5	62-U1114	14" Deep plastic bin
2	62-UDR14	Set of 5 dividers for a 14" shelf
1	C20-DH	Straight partition with perforated window, no access
3	N5-RS60-4	Steel shelving units, 14" D x 60" W x 62" H
2	X50-B	Compact 2-drawer unit









DLS-11 ELECTRICAL

 Steel	 144"	 Low Roof
 404 lbs	 6.3 hrs	 Yes

Qty	Part #	Description
1	6063	Paper holder, extra deep, 5 slots
1	6070	6" Hook, 3" opening, painted
1	6072	8" Swivel hook, 4" opening, painted
8	62-U1114	14" Deep plastic bin
2	62-UDR14	Set of 5 dividers for a 14" shelf
1	7124	Reel holder with two 5/8" diameter rods
2	77-U1048	Adjustable shelving door unit - 45" W - for 48" & 96" shelves
1	C20-DL	Straight partition with perforated window, no access
1	N5-RS60-4	Steel shelving unit, 14" D x 60" W x 62" H
1	N5-RS96-4	Steel shelving unit, 14" D x 96" W x 62" H
1	X50-B	Compact 2-drawer unit
1	X50-C	Compact 3-drawer unit



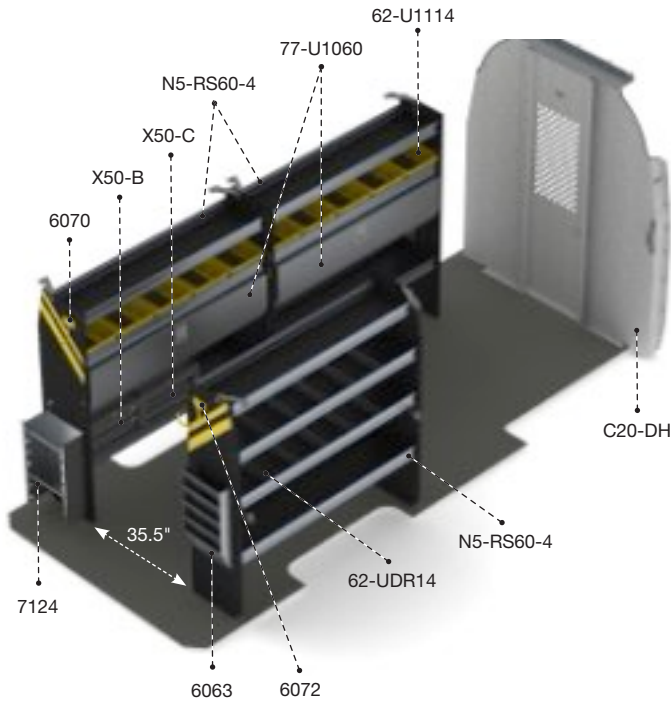
DHS-11 ELECTRICAL

 Steel	 144"	 High Roof
 413 lbs	 6.3 hrs	 Yes

Qty	Part #	Description
1	6063	Paper holder, extra deep, 5 slots
1	6070	6" Hook, 3" opening, painted
1	6072	8" Swivel hook, 4" opening, painted
8	62-U1114	14" Deep plastic bin
2	62-UDR14	Set of 5 dividers for a 14" shelf
1	7124	Reel holder with two 5/8" diameter rods
2	77-U1048	Adjustable shelving door unit - 45" W - for 48" & 96" shelves
1	C20-DH	Straight partition with perforated window, no access
1	N5-RS60-4	Steel shelving unit, 14" D x 60" W x 62" H
1	N5-RS96-4	Steel shelving unit, 14" D x 96" W x 62" H
1	X50-B	Compact 2-drawer unit
1	X50-C	Compact 3-drawer unit

ELECTRICAL

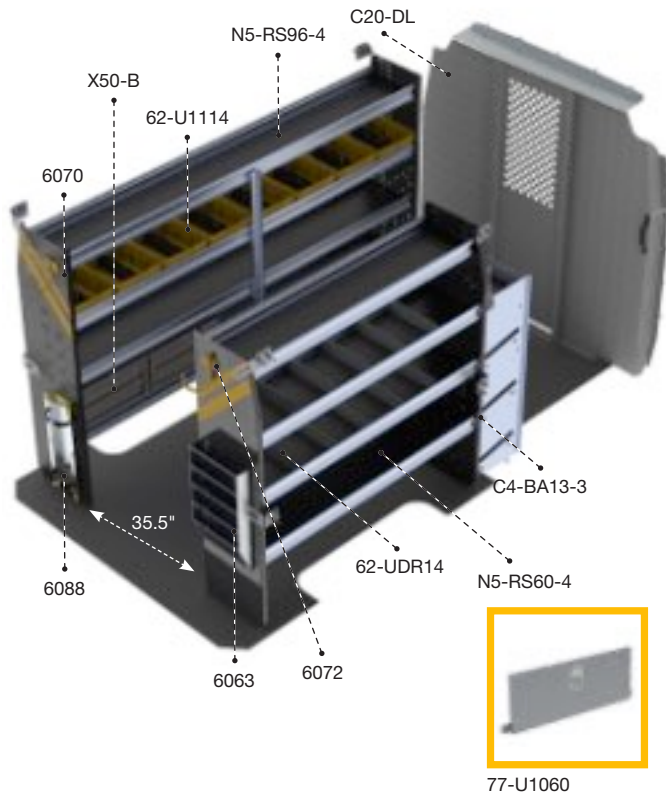
ELECTRICAL







DHL-11 ELECTRICAL

 Steel	 170", 170" Ext.	 High Roof
 475 lbs	 7.3 hrs	 Yes

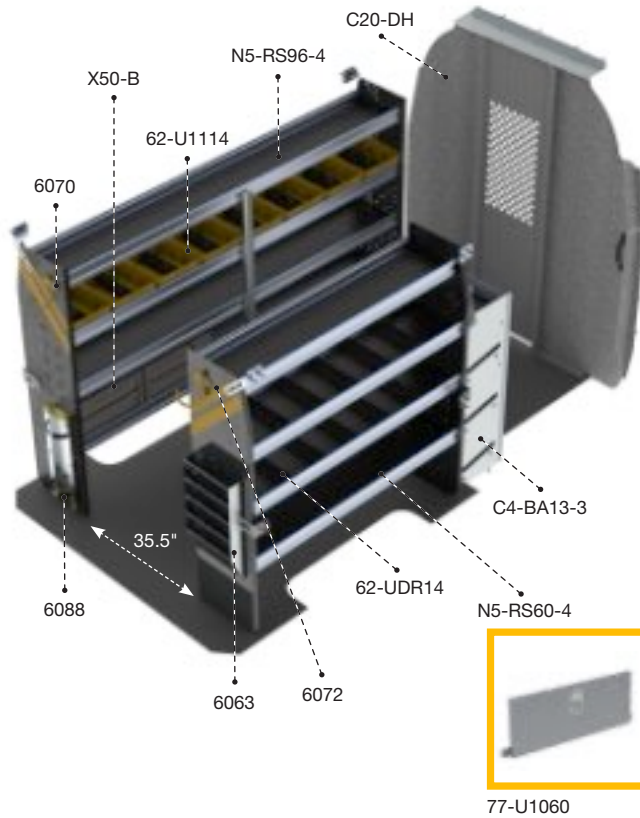
Qty	Part #	Description
1	6063	Paper holder, extra deep, 5 slots
1	6070	6" Hook, 3" opening, painted
1	6072	8" Swivel hook, 4" opening, painted
10	62-U1114	14" Deep plastic bin
2	62-UDR14	Set of 5 dividers for a 14" shelf
1	7124	Reel holder with two 5/8" diameter rods
2	77-U1060	Adjustable shelving door unit - 57" W - for 60" shelves
1	C20-DH	Straight partition with perforated window, no access
3	N5-RS60-4	Steel shelving units, 14" D x 60" W x 62" H
1	X50-B	Compact 2-drawer unit
1	X50-C	Compact 3-drawer unit









DLS-12 HVAC

 Steel	 144"	 Low Roof
 414 lbs	 6.1 hrs	 Yes

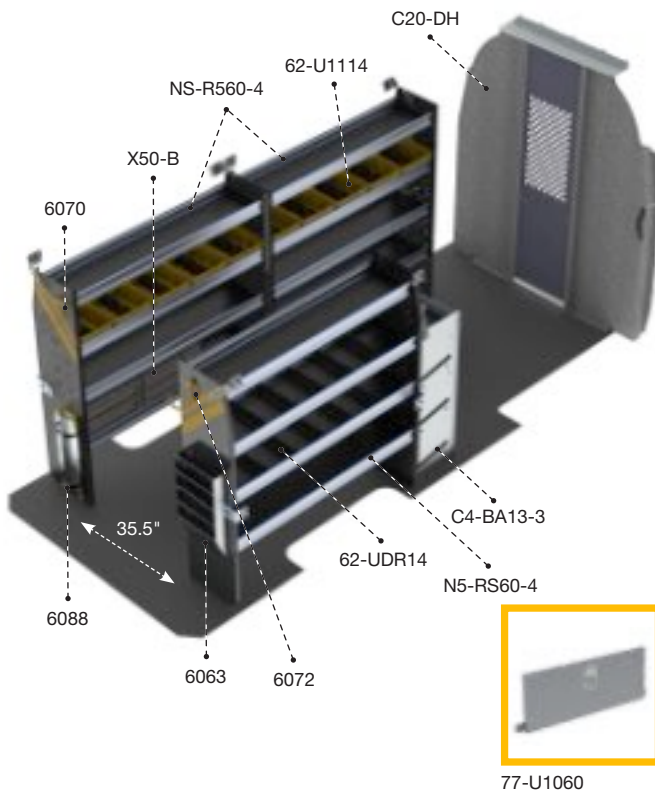
Qty	Part #	Description
1	C4-BA13-3	3 Tier refrigerant rack for large bottles
1	6063	Paper holder, extra deep, 5 slots
1	6070	6" Hook, 3" opening, painted
1	6072	8" Swivel hook, 4" opening, painted
1	6088	Large aluminum bottle holder, with two black nylon straps
8	62-U1114	14" Deep plastic bin
2	62-UDR14	Set of 5 dividers for a 14" shelf
1	77-U1060	Adjustable shelving door unit - 57" W - for 60" shelves
1	C20-DL	Straight partition with perforated window, no access
1	N5-RS60-4	Steel shelving unit, 14" D x 60" W x 62" H
1	N5-RS96-4	Steel shelving unit, 14" D x 96" W x 62" H
2	X50-B	Compact 2-drawer unit









DHS-12 HVAC

 Steel	 144"	 High Roof
 423 lbs	 6.1 hrs	 Yes

Qty	Part #	Description
1	C4-BA13-3	3 Tier refrigerant rack for large bottles
1	6063	Paper holder, extra deep, 5 slots
1	6070	6" Hook, 3" opening, painted
1	6072	8" Swivel hook, 4" opening, painted
1	6088	Large aluminum bottle holder, with two black nylon straps
8	62-U1114	14" Deep plastic bin
2	62-UDR14	Set of 5 dividers for a 14" shelf
1	77-U1060	Adjustable shelving door unit - 57" W - for 60" shelves
1	C20-DH	Straight partition with perforated window, no access
1	N5-RS60-4	Steel shelving unit, 14" D x 60" W x 62" H
1	N5-RS96-4	Steel shelving unit, 14" D x 96" W x 62" H
2	X50-B	Compact 2-drawer unit

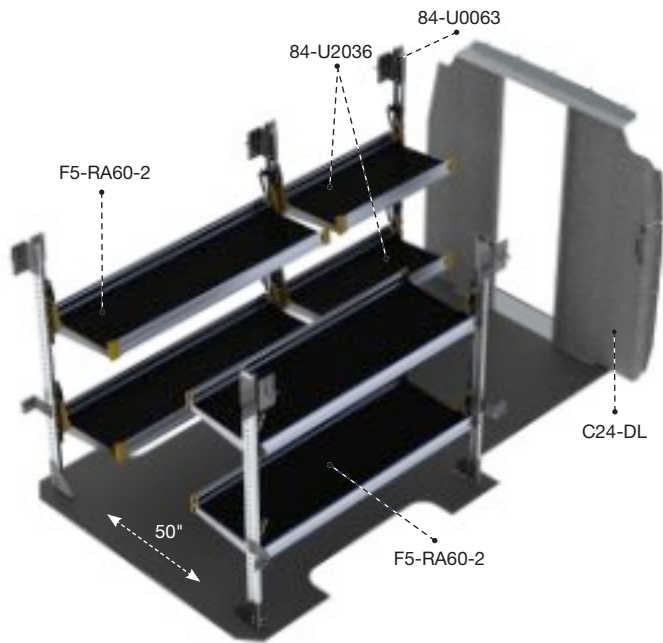


DHL-12 HVAC

 Steel	 170", 170" Ext.	 High Roof
 482 lbs	 7.1 hrs	 Yes

Qty	Part #	Description
1	C4-BA13-3	3 Tier refrigerant rack for large bottles
1	6063	Paper holder, extra deep, 5 slots
1	6070	6" Hook, 3" opening, painted
1	6072	8" Swivel hook, 4" opening, painted
1	6088	Large aluminum bottle holder, with two black nylon straps
10	62-U1114	14" Deep plastic bin
2	62-UDR14	Set of 5 dividers for a 14" shelf
1	77-U1060	Adjustable shelving door unit - 57" W - for 60" shelves
1	C20-DH	Straight partition with perforated window, no access
3	N5-RS60-4	Steel shelving units, 14" D x 60" W x 62" H
2	X50-B	Compact 2-drawer unit

DELIVERY

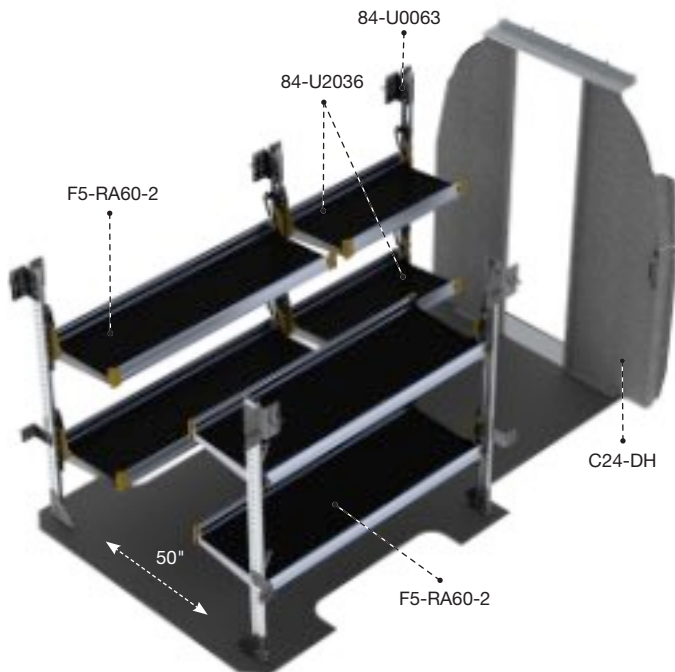


DLS-19 DELIVERY

Aluminum	144"	Low Roof
274 lbs	5.3 hrs	Yes

Qty	Part #	Description
1	84-U0063	Post assembly for fold-away shelving, 63"
2	84-U2036	Fold-away shelf tray, 20" D x 36" W
1	C24-DL	Straight walk through steel partition
2	F5-RA60-2	Fold-away unit, 2 levels, 25" D x 60" W x 63" H

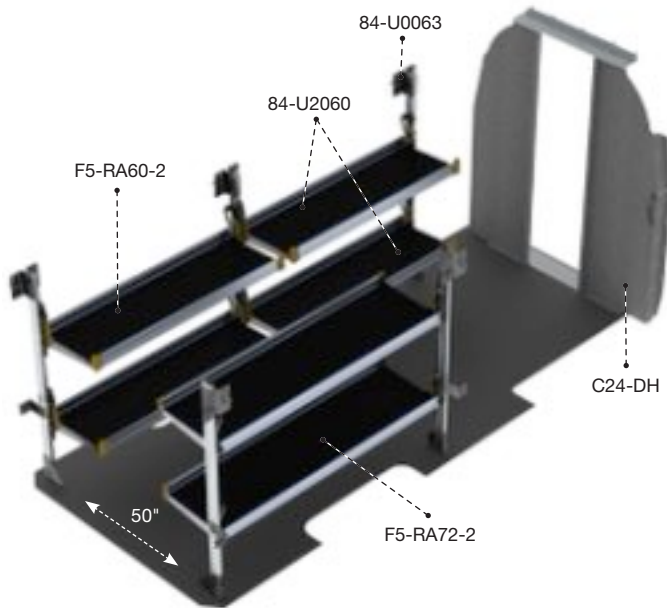
DELIVERY



DHS-19 DELIVERY

Aluminum	144"	High Roof
277 lbs	5.3 hrs	Yes

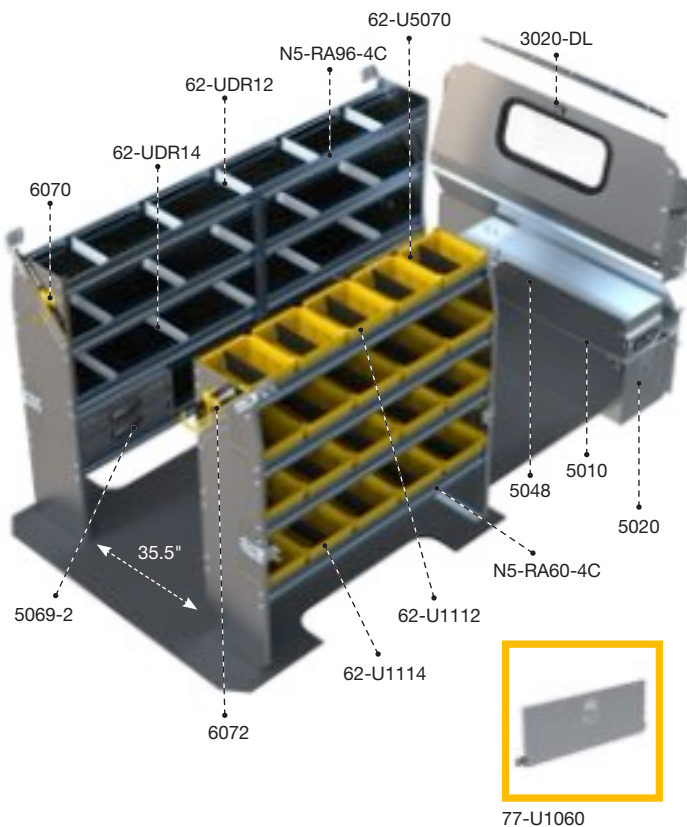
Qty	Part #	Description
1	84-U0063	Post assembly for fold-away shelving, 63"
2	84-U2036	Fold-away shelf tray, 20" D x 36" W
1	C24-DH	Straight walk through steel partition
2	F5-RA60-2	Fold-away unit, 2 levels, 25" D x 60" W x 63" H



DHL-19 DELIVERY

■ Aluminum	🚚 170", 170" Ext.	🚚 High Roof
📦 299	🕒 5.3 hrs	🛡️ Yes

Qty	Part #	Description
1	C24-DH	Straight walk through steel partition
1	F5-RA60-2	Fold-away unit, 2 levels, 60" W x 63" H
1	84-U0063	Post assembly for fold-away shelving, 63"
2	84-U2060	Fold-away shelf tray, 20" D x 60" W
1	F5-RA72-2	Fold-away unit, 2 levels, 72" W x 63" H

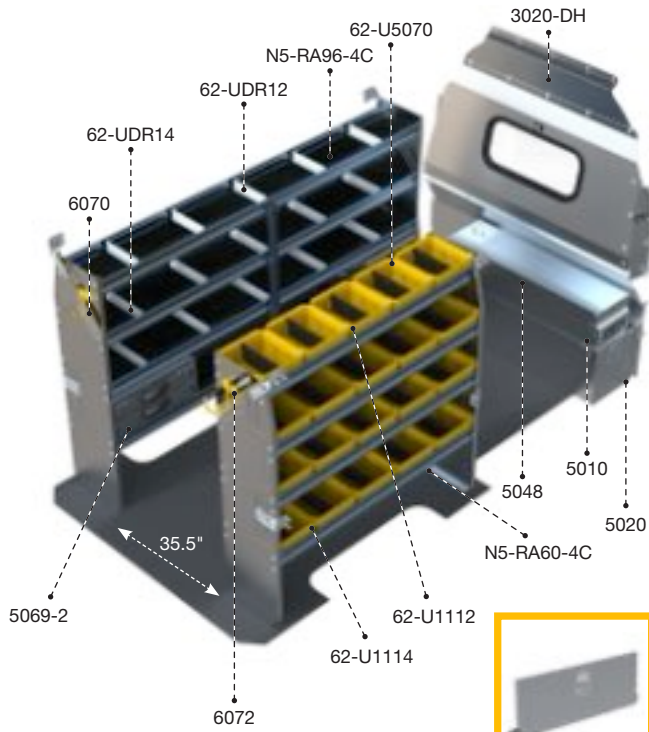


DLS-27 ALUMINUM

■ Aluminum	🚚 144"	🚚 Low Roof
📦 404 lbs	🕒 7.5 hrs	🛡️ Yes

Qty	Part #	Description
1	3020-DL	Countoured safety partition with glass window
1	5010	Partslider drawer
1	5020	Tool drawer 48" D x 14" W x 16" H
1	5048	Top edge
1	5069-2	2-Drawer cabinet
2	62-U5070	Partskeeper carry case with holder
1	6070	6" Hook, 3" opening, painted
1	6072	8" Swivel hook, 4" opening, painted
5	62-U1112	12" Deep plastic bin
15	62-U1114	14" Deep plastic bin
1	62-UDR12	Set of 5 dividers for a 12" shelf
2	62-UDR14	Set of 5 dividers for a 14" shelf
1	77-U1060	Adjustable shelving door unit - 57" W - for 60" shelves
1	N5-RA60-4C	Composite Aluminum shelving unit, 60", 14"D x 60" W x 62" H
1	N5-RA96-4C	Composite Aluminum shelving unit, 96", 14"D x 96" W x 62" H

ALUMINUM



77-U1060

DHS-27 ALUMINUM

Aluminum

144"

High Roof

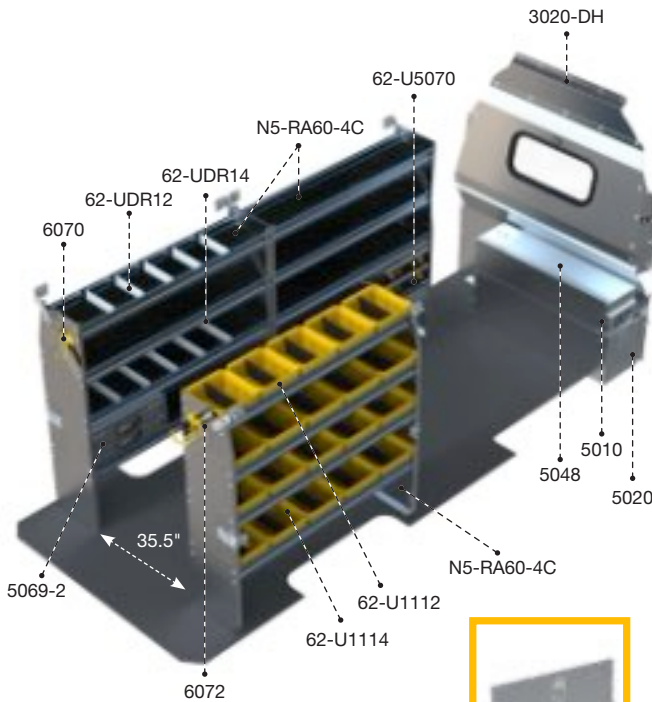
411 lbs

7.5 hrs

Yes

Qty	Part #	Description
1	3020-DH	Countoured safety partition with glass window
1	5010	Partslider drawer
1	5020	Tool drawer 48" D x 14" W x 16" H
1	5048	Top edge
1	5069-2	2-Drawer cabinet
2	62-U5070	Partskeeper carry case with holder
1	6070	6" Hook, 3" opening, painted
1	6072	8" Swivel hook, 4" opening, painted
5	62-U1112	12" Deep plastic bin
15	62-U1114	14" Deep plastic bin
1	62-UDR12	Set of 5 dividers for a 12" shelf
2	62-UDR14	Set of 5 dividers for a 14" shelf
1	77-U1060	Adjustable shelving door unit - 57" W - for 60" shelves
1	N5-RA60-4C	Composite Aluminum shelving unit, 60", 14"D x 60" W x 62"H
1	N5-RA96-4C	Composite Aluminum shelving unit, 96", 14"D x 96" W x 62"H

ALUMINUM



77-U1060

DHL-27 ALUMINUM

Aluminum

170", 170" Ext.

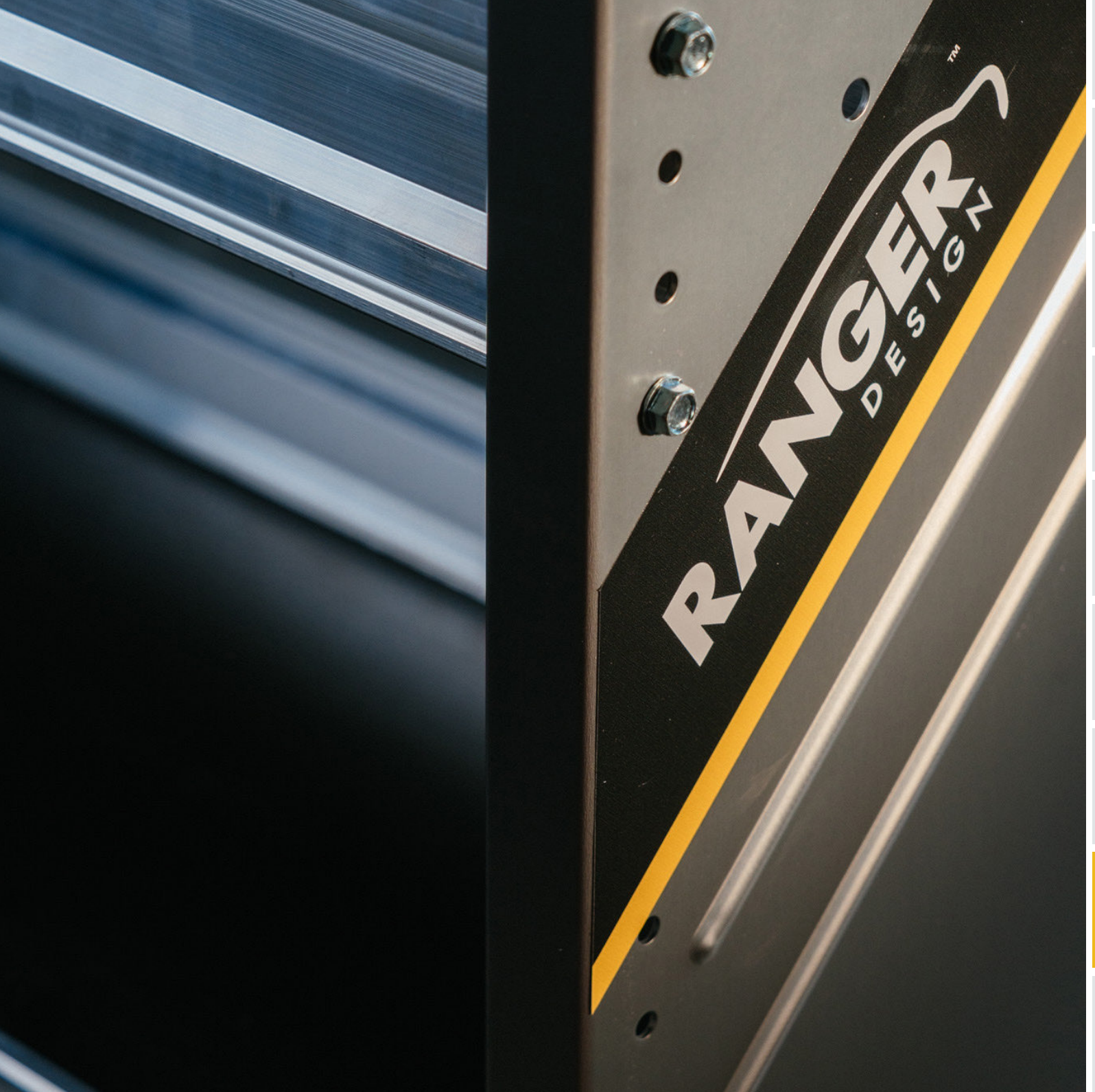
High Roof

445 lbs

8.5 hrs

Yes

Qty	Part #	Description
1	3020-DH	Countoured safety partition with glass window
1	5010	Partslider 48" D
1	5020	Tool drawer 48" D x 14" W x 16" H
1	5048	Top edge
1	5069-2	2-Drawer cabinet
2	62-U5070	Partskeeper carry case with holder
1	6070	6" Hook, 3" opening, painted
1	6072	8" Swivel hook, 4" opening, painted
5	62-U1112	12" Deep plastic bin
15	62-U1114	14" Deep plastic bin
1	62-UDR12	Set of 5 dividers for a 12" shelf
2	62-UDR14	Set of 5 dividers for a 14" shelf
1	77-U1060	Adjustable shelving door unit - 57" W - for 60" shelves
3	N5-RA60-4C	Composite Aluminum shelving units, 60", 14"D x 60" W x 62"H



ALUMINUM
DHS-27

MERCEDES-BENZ **SPRINTER**



FLOORS & DRAWERS

E-FLOORS

Easy. Efficient. EV Ready. Compatible with both electric and gas powered vehicles.



6541-DR

Mercedes-Benz Sprinter
E-Floor for the 144" Wheelbase



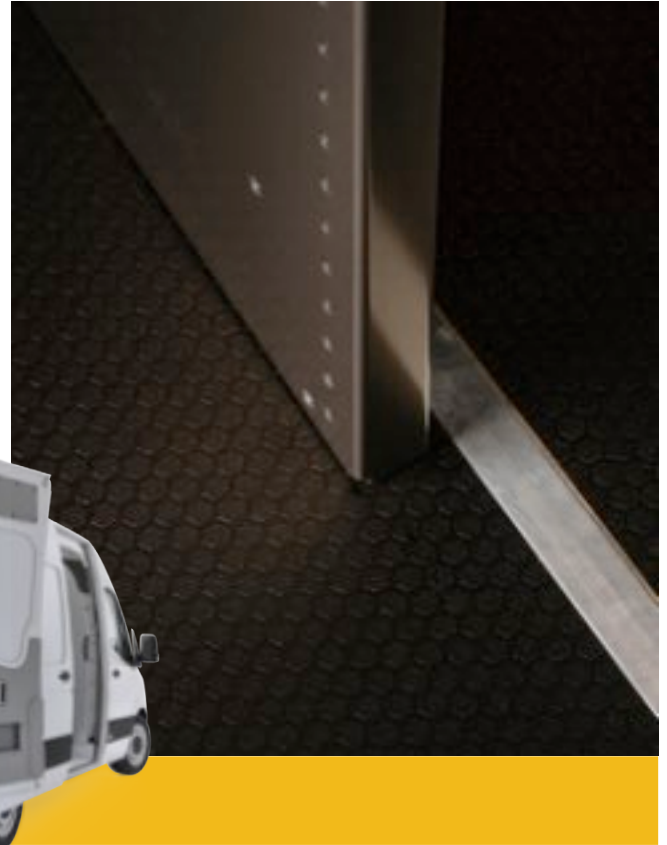
6541-DL

Mercedes-Benz Sprinter
E-Floor for the 170" Wheelbase



6541-DX

Mercedes-Benz Sprinter
E-Floor for the 170" Extended
Wheelbase



DRAWERS

Increase storage and organization with Ranger Design's line of drawer units.

FLOORS & DRAWERS



5010

Partslider drawer



5020

Tool drawer 48"D x 14"W x 16"H



5048

Top edge, for 5010 Partslider



TOOL DRAWER TIP: Stack these drawers for maximum efficiency

STORAGE UNITS

Ergonomic storage solutions for the cargo space in your vehicle.



62-U5079

Partskeeper carry case



C2-PA18-4

Aluminum Partskeeper cabinet with 4 carry cases



C4-PA18-8

Aluminum Partskeeper cabinet with 8 carry cases



C5-PA18-8

Aluminum Partskeeper cabinet with 8 carry cases and 2 shelves



N4-PS20-8

Steel Partskeeper cabinet with 8 carry cases



N5-LS16-1

Steel locker with top shelf and 2 hooks



S3-WA48-0

Workbench, with hardwood top, one end panel, drawer cabinet not included

Compatible cabinets
5060-5, 5060-6, 5060-8



S3-WA48-1

Workbench, aluminum with hardwood top, 1 shelf tray



N5-PS20-8

Steel Partskeeper cabinet with 8 carry cases and 2 shelves

ACCESSORIES

ACCESSORIES

Choose the finishing details to tailor the upfit to your specific needs.

CARGO HOLDERS

Increase organization by giving a specific spot to store your equipment. Instead of being loose on the floor, your reels, cans etc. can be secured within easy reach from the door.



7124
Reel Holder with two 5/8" diameter rods



6057
Can Holder



6068
Hard Hat Holder, painted wire



6063
Paper Holder, extra deep, 5 slots

STORAGE HOOKS

Keep frequently used items such as hats, vests and extension cords hanging within easy reach while on the road.



6070
6" Hook, 3" opening, painted



6071
Triple 6" Hook, 3" opening, painted



6073
Large aluminum movable Hook, 6.5" opening

MAX STEP

Climbing in and out of your van several times a day can put a strain on your legs and back. The Max Step gives tradespeople quick and easy access to their cargo space.



6550-DS
Max Step

SEAT COVERS

Protect your vehicle seats with a set of water & stain-resistant seat covers that will keep your cab looking clean and new. There is also no interference with factory seat functions including heating, cooling or airbag deployment.



6257-19
Seat Cover Set

LED LIGHTING

Keeps the cargo space bright, making visibility easy, no matter what time of day or night. Eliminate any chance of injury when searching through your tools in the dark.



6092-42
Universal LED light kit for vans
(12V DC / 1200 Lm / 10W)

GRAB HANDLE

It is always useful to have something to hold onto when climbing into your van. Grab handles can also be used to tie down extra cargo during transport.



6093-27
Large grab handle

WINDOW GRILLS

Protect your van against theft and prevent damage to the van during loading or unloading, with Ranger Design's window grills.



6107-19
Set of 2 rear window grills



6117
Window grill, passenger side sliding door

SCAN AND VISIT
OUR WEBSITE
TO VIEW MORE
ACCESSORIES



LADDER RACKS

LADDER RACKS

Increase efficiency and safety with the right roof rack for the job.



Cargo+ Rack

Aluminum

PART			
1506-DS	144"	Standard	-
1506-DH	170", 170" Extended	High	-



Combination Rack - 2 bar

Aluminum

PART			
1625-DH	130", 170", 170" Extended	Standard, High	32 ft



Max Rack

Aluminum

PART			
1870-DH - Single	130", 170", 170" Extended	Standard, High	32 ft
1880-DH - Double	130", 170", 170" Extended	Standard, High	32 ft
1880-DH3 - Double	130", 170", 170" Extended	Standard, High	32 ft



Cargo Rack

Aluminum

PART			
1605-DH	130", 170", 170" Extended	Standard, High	-
1605-DH3 - 3 Bar	130", 170", 170" Extended	Standard, High	-



Double Clamp Rack

Aluminum

PART			
1630-DH	130", 170", 170" Extended	Standard, High	32 ft
1630-DH3 - 3 Bar	130", 170", 170" Extended	Standard, High	32 ft



Access Stow

Aluminum

PART			
1920-DH - Single	130", 170", 170" Extended	Standard, High	32 ft
1930-DH - Double	130", 170", 170" Extended	Standard, High	32 ft



VISIT OUR WEBSITE FOR OUR FULL-LINE OF LADDER RACKS



TURN-KEY FLEET SERVICES



Ship Through or Local Installation Across North America for all Types of Cargo Vans

We are pleased to offer an efficient, personalized service to answer all questions regarding:

1. Analysis

- › Cargo Needs Analysis
- › Custom 3D CAD Layouts
- › Hands-on Equipment Demo

2. Testing

- › Test Fitting
- › Pilot Build and Review
- › Package Optimization based on Technician Feedback

3. Delivery

- › Delivery, Production, Installation Planning and Scheduling
- › Vehicle Status Tracking

4. Service

- › Dedicated Fleet Account Management Team
- › Distributor Service Support Network
- › Live Customer Service



**MAXIMIZE CARGO CAPACITY &
VEHICLE PERFORMANCE WITH
ORGANIZED STORAGE SYSTEMS**

When you want the perfect upfit solution for your work vehicle, turn to Ranger Design. Crash-tested for toughness, Ranger Design's shelving and upfits will take whatever abuse you can dish out. Their unsurpassed craftsmanship, combined with ideal fit and finish, provide a quiet ride with no rattles.



CONTACT US

cs@rangerdesign.com

1-800-565-5321

rangerdesign.com

